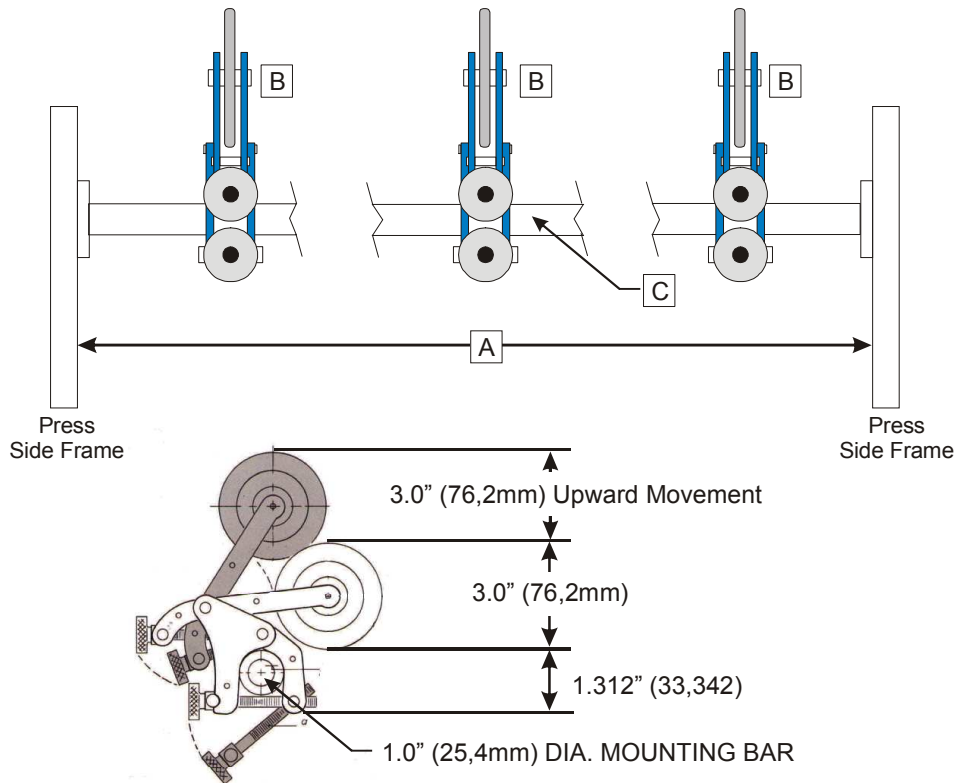


Date:	
Customer:	
Contact Name:	
Phone Number:	
End User:	
End User (City, State, Country):	



Please fill in the information below so we can begin processing your RBW order. When finished, please send the worksheet to sales@usautocorp.com or fax to 262-717-0479.

A - Distance Between Side frames: _____

B - Number of Bustle Wheel Heads Per Mounting Bar: _____

C - Number of Bustle Wheel Mounting Bars: _____

D - Mounting Style: Side Frame Block Mount Clamp Mount - Specify Shaft Dia. _____

E - RBW-1000 (Standard) RBW-2000 (Air-Assisted)

F - Press Type: Horizontal Vertical

Special Instructions: _____