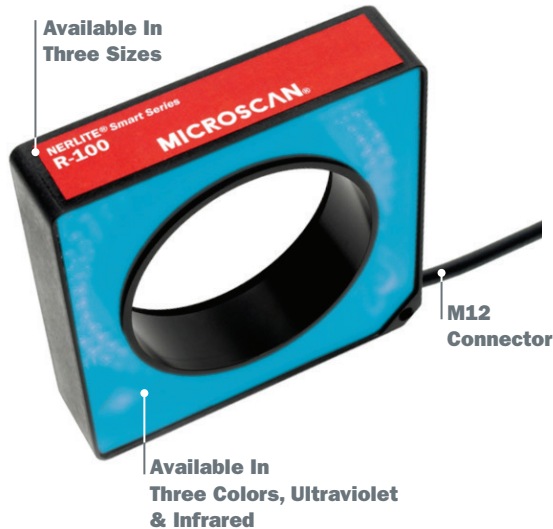


NERLITE® RING LIGHT



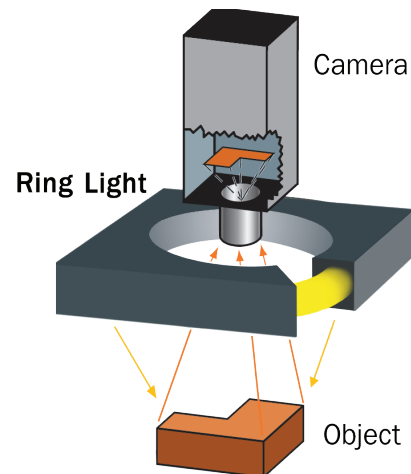
Diffused Surface Lighting Solution

Omron Microscan's NERLITE Smart Series products feature built-in controllers for a complete and easily integrated solution.

Ring lights are a cost-effective, easily integrated solution for illuminating surfaces. As with other incident lighting choices, subtle adjustments to working distance and angle of light delivery can deliver good image contrast for minimal investment. Ring light packaging and mounting advancements emphasize durability and versatility for any diffused surface lighting application.

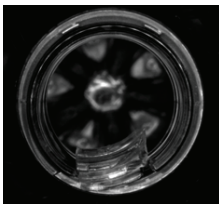
Ring Light: At a Glance

- Smart Series: Built-in controller with adjustable intensity continuous mode and high output strobe mode
- Integrated Pulse Width Modulation (PWM) feature for dimming and on-off control
- Economical and widely-used general purpose designs
- Optional adapters allows easy, direct attachment to a variety of camera lenses
- Optional fresnel lens accessories allow the illumination to be focused at various distances
- Diffuser accessory included

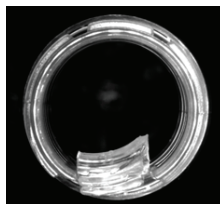


Illumination Example:

Object



Resulting Image



Plastic bottle: Defect on top of a plastic bottle is clearly identified.

Application Examples

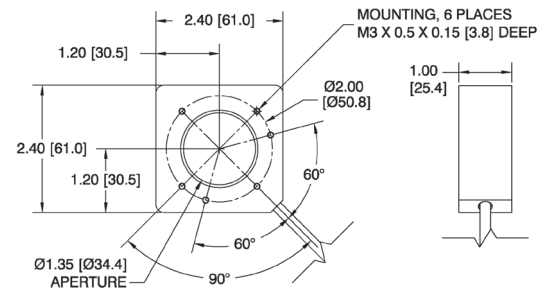
- Illuminate flat, diffused surfaces
- Inspection of circular objects (gaskets, washers)
- Label inspection
- Lab use where interchangeable optics such as diffusers or fresnel (focusing) lenses are desired
- When direct attachment to lens is required

NERLITE® RING LIGHT SPECIFICATIONS AND OPTIONS

R 60

DESCRIPTION	nm/K	CONT.		STROBE		mw	
		CURRENT	CURRENT	CONT.	STROBE	CONT.	STROBE
R-60, Smart Series, Red	623 nm	140 mA	1.2 A	283759	2958239		
R-60, Smart Series, Blue	470 nm	140 mA	700 mA	124671	536355		
R-60, Smart Series, White	6700 K	140 mA	700 mA	305710	1512455		
R-60, Smart Series, Ultraviolet	375 nm	60 mA	200 mA			58	424

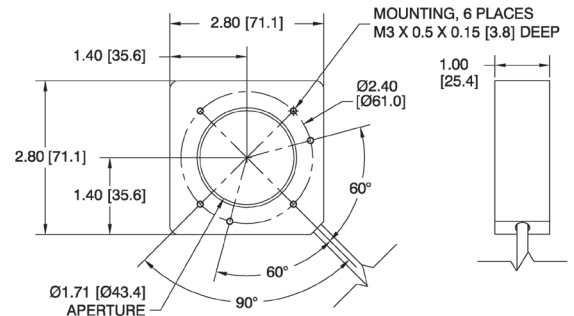
Aperture Diameter: 1.35" (34.4 mm) **Weight:** 4 oz. (113 g)
Dimensions: H 2.40" (61 mm) x W 2.40" (61 mm) x D 1.00" (25.4 mm)



R 70

DESCRIPTION	nm/K	CONT.		mcd	
		CURRENT	CURRENT	CONT.	STROBE
R-70, Smart Series, Red	623 nm	172 mA	1.2 A	349281	3062913
R-70, Smart Series, Blue	470 nm	160 mA	850 mA	143217	618814
R-70, Smart Series, White	6700 K	160 mA	850 mA	352205	1739631

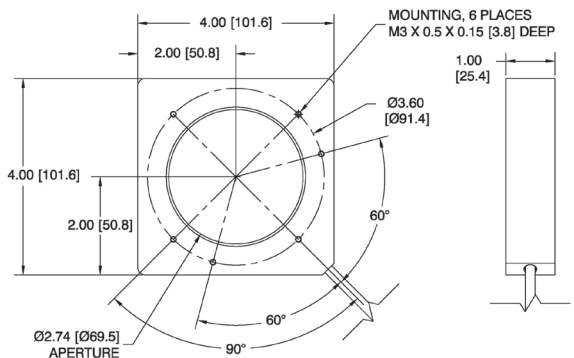
Aperture Diameter: 1.71" (43.4 mm) **Weight:** 5 oz. (136 g)
Dimensions: H 2.80" (71.1 mm) x W 2.80" (71.1 mm) x D 1.00" (25.4 mm)



R 100

DESCRIPTION	nm/K	CONT.		mcd	
		CURRENT	CURRENT	CONT.	STROBE
R-100, Smart Series, Red	623 nm	255 mA	1.7 A	516015	4370388
R-100, Smart Series, Blue	470 nm	235 mA	1.1 A	201005	848215
R-100, Smart Series, White	6700 K	235 mA	1.1 A	495814	2338577

Aperture Diameter: 2.74" (69.5 mm) **Weight:** 8 oz. (227 g)
Dimensions: H 4.00" (101.6 mm) x W 4.00" (101.6 mm) x D 1.00" (25.4 mm)



ENVIRONMENTAL

Enclosure: Black anodized aluminum, IP40 rated; **Operating Temperature:** 0° to 50° C (32° to 122° F)
Storage Temperature: 0° to 50° C (32° to 122° F); **Humidity:** up to 95% (non-condensing)

LIGHTING PARAMETERS

Aperture Diameter Defined: Diameter of opening through the illuminator

LIGHT SOURCE

Type: High output LEDs
Light Output: Millicandelas
Radiant Output: Milliwatts
Expected Life: 40,000 hours (Red LEDs)
Expected Life: 10,000 hours (Blue LEDs)
Expected Life: 36,000 hours (White LEDs)
Eye Safety: EN 60825-1: Class 1 (Red, White LEDs);
 Class 1M; Class 2 (Blue LEDs)

CONNECTOR

Type: M12 5-pin plug, A-code, 6 in. (150 mm) integrated cable

ELECTRICAL

Power: 20.2–28.8 VDC
Continuous Operation: No additional signals required
Continuous Operation with Dimming: 0 VDC (LEDs off) to 3.1–3.5 VDC (LEDs on) PWM signal. < 1 mA, modulation frequency 2 KHz +/- 100 Hz. Note: LED duty cycle will equal duty cycle of dimming signal when using this mode.
Continuous Operation with On/Off Control: 0 VDC (LEDs off) to 3.1–3.5 VDC (LEDs on), < 1 mA
High Output Strobe Operation: Optoisolated, 0 VDC (LEDs off) to 3.1–28.8 VDC (LEDs on). 10 mA max, 5 µs min to 10 ms max pulse width. Note: High Output Strobe internally limits LED frequency and pulse width to maximum of 90 Hz and 1 ms respectively.

M12 5-pin plug:



Pin Assignment

- 1 +24 VDC
- 2 Trigger (-)
- 3 DC Ground
- 4 Trigger (+)
- 5 Dimmer

QMS CERTIFICATION

www.microscan.com/quality

©2018 Omron Microscan Systems, Inc. SP048H-EN-0518

Read Range and other performance data is determined using high quality Grade A symbols per ISO/IEC 15415 and ISO/IEC 15416 in a 25° C environment. For application-specific Read Range results, testing should be performed with symbols used in the actual application. Omron Microscan Applications Engineering is available to assist with evaluations. Results may vary depending on symbol quality. **Warranty**—For current warranty information on this product, please visit www.microscan.com/warranty.

OMRON

MICROSCAN

www.microscan.com